



REFRIGERATED REAR STORAGE

MODELS

KPM-FG-(60, 80, 100)-S

KPM-FG-(60, 80, 100)-R

**FLAT GLASS DELI CASE DESIGNED FOR
DELI PRODUCTS AND PACKAGED MEAT**

CASE HOLDS 33°F TO 40°F • FORCED AIR REFRIGERATION • TEMPERED TILT-OUT FLAT FRONT GLASS
TEMPERED SIDE GLASS AND REAR DOOR AND REFRIGERATED REAR STORAGE
CASES CAN BE MULTIPLEXED



AUTODESK®
REVIT®

SELF CONTAINED	Model	O.A. Length (inches)	Volume FT ³		Electrical 115 Volts						NEMA 115 V Plug	Weight lbs		Crate Size (inches)		
			Front	Rear	Compressor			LIGHTS Fans HTRS	EVAP Pan	Total Amps		No Crate	With Crate	L"	W"	H"
					H.P	F.L.A	L.RA									
	KPM-FG-60-S	60	23.47	5.33	1/2	9.6	49	1.42	3.3	14.35	5-20P	494	716	67	44	42
	KPM-FG-80-S	77.5	30.70	8.76	1/2	9.6	49	1.59	3.3	14.52	5-20P	606	866	85	44	42
	KPM-FG-100-S	101.2	40.45	13.41	5/8	8.9	47	4.80	3.3	14.23	5-20P	714	1032	108	44	42

REMOTE	Model	O.A. Length (inches)	Number of Rear Doors	115 Volts Total Amps	B.T.U	Weight lbs	
						No Crate	With Crate
	KPM-FG-60-R	60	1	0.97	2959	438	661
	KPM-FG-80-R	77.5	2	1.14	3253	550	813
	KPM-FG-100-R	101.2	3	0.91	4372	695	1014

Refrigerated Rear Storage Area	L" x W" x H"
KPM-FG-60	27" X 16-47/64"/29-29/64" X 13-25/64"
KPM-CFG-80	44-1/2" X 16-47/64"/29-29/64" X 13-25/64"
KPM-FG-100	68-1/8" X 16-47/64"/29-29/64" X 13-25/64"

STANDARD FEATURES

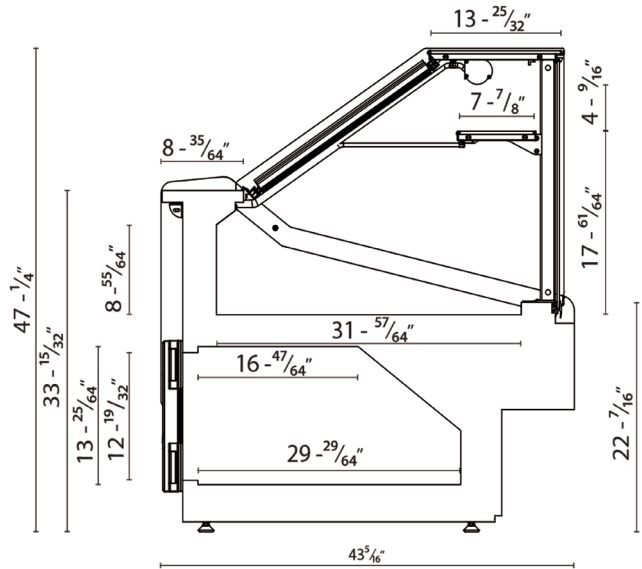
- Silver colored PVC coated steel front panel
- CFC free injected foam insulation
- PVC coated steel gray interior
- Black steel kick plate
- Rear work bench
- Foamed polystyrene black end panels
- Tempered glass inside shelf is NON-REFRIGERATED
- LED lighting in canopy
- Removable condensate evaporating pan for easy cleaning on self contained units
- Temperature and defrost regulated by a digital controller
- Slide out condensing unit on self-contained units
- Anti condensate system for front glass
- Digital thermometer
- Levelling feet

OPTIONAL FEATURES

- Stainless steel exterior and / or interior
- Other colors available
- Joining Kit
- Partition
- White epoxy bi-level wire racks; 2 or 3 level step sham
- Scale stand with receptable
- Cutting Board
- Knife Support
- Condensate evaporating pan for remote cases
- Casters add 4-3/8" to height
- Stainless steel legs are adjustable from 5-1/8" to 7-5/8"

WARRANTY

One year parts and labor with an additional four years on the compressor (part only)



Standard Mounting



Levelling Feet

Optional Mounting



Adjustable Legs



Casters

NOTE

These cases are engineered to operate in locations not exceeding 75°F and 55% R.H. These cases are designed to operate using R404a refrigerant. Alternate refrigerants available by special order. O.A. length includes (2) ends at 1-1/2" each. Ventilation grills at front and back cannot be blocked. B.T.U.'s are calculated at 14°F (evaporator) and 90°F (ambient). Remote cases are provided with an expansion valve and a liquid solenoid for pump down cycle. On remote cases, if no floor drain is provided, a condensate evaporating pan must be ordered and 3.3 amps added to the amp load. Remote cases must be hard wired – no plugs.



Hydra - Kool is a registered trademark of MVP Group Corp. SPECIFICATIONS SUBJECT TO CHANGE WITHOUT NOTICE

Tel: 786.600.4687 / Toll Free: 844.218.8477

Fax: 786.661.4100

Tel: 514.737.9701 / Toll Free: 888.275.4538

Fax: 514.342.3854 / toll free: 877.453.8832

sales@mvpgroupcorp.com / mvpgroupcorp.com